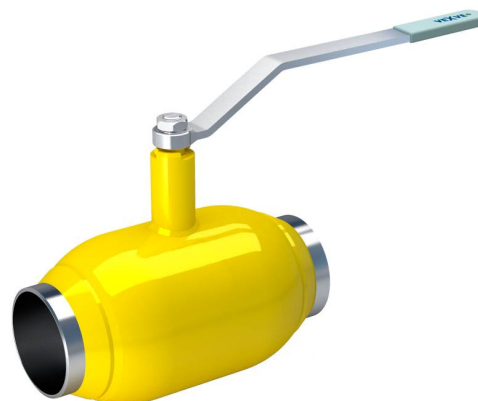


Gas ball valves, full bore

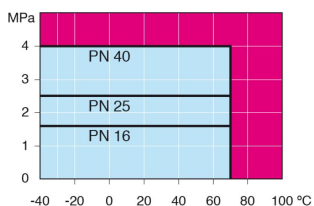
welding/welding, EN (DIN), DN 15-500

- Body: DN 15–400 Steel, P235GH (1.0345)
DN 500–800 Steel, P355 NL1 (1.0566)/ GP240GH (1.0619)
- Ball: DN 15–500 Stainless steel, X5CrNi18-10 (1.4301)
DN 600–800 Steel + stainless plating, ASTM A350 LF2+Ni
- Stem: Stainless steel, X8CrNiS18-9 (1.4305)
- Stem seals: NBR
- Ball seals: PTFE+C
- Operation: With zinc-plated steel handle
DN 250 and larger without handle
We recommend manual gear operation for sizes DN 200 and larger



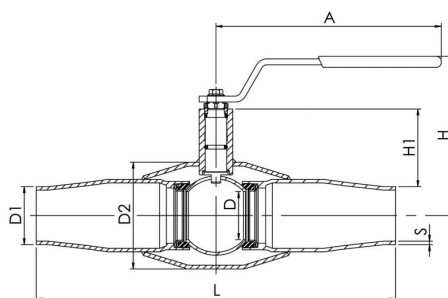
Operating conditions

- 40 °C - +70 °C
- Over 70 °C contact manufacturer
- Below -30°C contact manufacturer

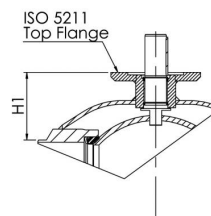


Not for steam

DN 15 - 125



DN 150 - 500



Product no. Vexve	DN	PN	A	D	D1	D2	H	H1	L	S	kg
304015	15	40	145	15	21.3	42.4	103	23	234	2.1	0.8
304020	20	40	145	20	26.9	48.3	118	37	233	2.3	1.5
304025	25	40	145	25	33.7	60.3	121	37	260	2.6	2.2
304032	32	40	188	32	42.4	70	121	46	260	2.6	2.5
304040	40	40	188	40	48.3	88.9	127	49	306	2.9	4
304050	50	40	278	50	60.3	101.6	158	70	300	2.9	4.5
304065	65	25	278	65	76.1	121	171	74	300	3.2	6.7
304080	80	25	279	80	88.9	146	218	114	325	3.6	10.5
304100	100	25	400	100	114.3	177.8	253	113	325	3.6	15.5
304125	125	25	600	125	139.7	219.1	272	121	360	3.6	25
304150	150	25	870	150	168.3	273	281	117	400	4.5	51
304200	200	25	1200	200	219.1	355.6	343	135	530	5	95
304250	250	25		250	273	457		158	550	5	126
304300	300	25		290	315.7	508		206	686	5.6	177
304350	350	25		340	355.6	610		267	762	6.3	258
304400	400	25		390	406	660		309	1100	7.1	519
304500	500	25		489	508	813		325	970	7.1	920

Gas ball valves, full bore

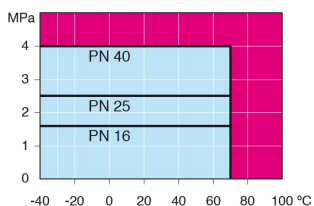
welding/welding, EN (DIN), DN 600-800

Body: DN 15–400 Steel, P235GH (1.0345)
 DN 500–800 Steel, P355 NL1 (1.0566)/ GP240GH (1.0619)
 Ball: DN 15–500 Stainless steel, X5CrNi18-10 (1.4301)
 DN 600–800 Steel + stainless plating, ASTM A350 LF2+Ni
 Stem: Stainless steel, X8CrNiS18-9 (1.4305)
 Stem seals: NBR
 Ball seals: PTFE+C
 Equipment: mounting stand, lifting lugs
 Operation: Valves are available with manual gear or with an electric or hydraulic actuator: www.vexve.com/en/actuators



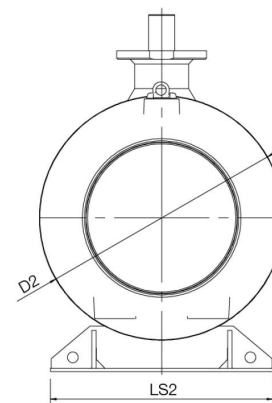
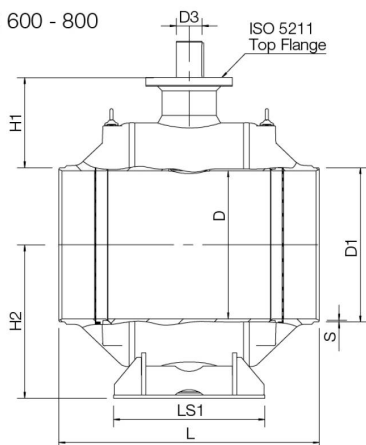
Operating conditions

-40 °C - +70 °C
 Over 70 °C contact manufacturer
 Below -30 °C contact manufacturer



Not for steam

DN 600 - 800



Product no. Vexve	DN	PN	D	D1	D2	D3	H1	H2	L	LS1	LS2	S	ISO 5211	kg
304600	600	25	589	610	965	100	388	616	1065	560	965	7.1	F35	2325
304700	700	25	684	712	1125	120	417	709	1205	694	1028	8	F35	3450
304800	800	25	779	813.6	1290	140	448	799	1330	680	1290	8.8	F40	5160

Gas ball valves, full bore

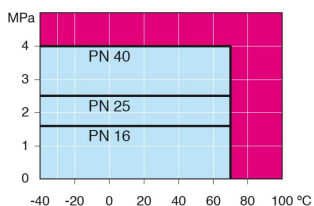
flange/flange, DN 15-500

- Body: DN 15–400 Steel, P235GH (1.0345)
 DN 500–800 Steel, P355 NL1 (1.0566)/ GP240GH (1.0619)
- Ball: DN 15–500 Stainless steel, X5CrNi18-10 (1.4301)
 DN 600–800 Steel + stainless plating, ASTM A350 LF2+Ni
- Stem: Stainless steel, X8CrNiS18-9 (1.4305)
- Stem seals: NBR
- Ball seals: PTFE+C
- Flanges: EN 1092-1
 Available PN 10, 16, 25, 40
- Operation: With zinc-plated steel handle
 DN 250 and larger without handle
 We recommend manual gear operation for sizes DN 200 and larger



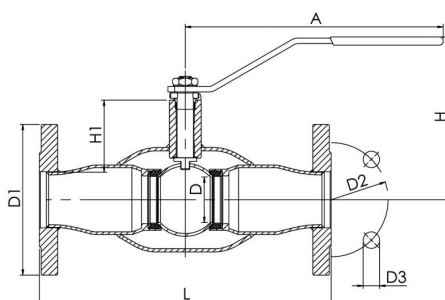
Operating conditions

-40 °C - +70 °C
 Over 70 °C contact manufacturer
 Below -30 °C contact manufacturer

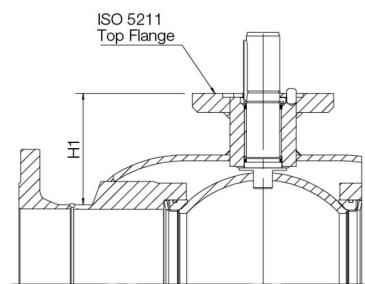


Not for steam

DN 15 - 125



DN 150 - 500



Product no. Vexve	DN	PN	A	D	D1	D2	D3	H	H1	L	Holes	kg
309015	15	40	145.5	15	95	65	14	103	26	245	4	1.3
309020	20	40	144.5	20	105	75	14	117	37	245	4	3
309025	25	40	144.5	25	115	85	14	121	37	275	4	3.5
309032	32	40	188	32	140	100	18	121	46	275	4	5.5
309040	40	40	188	40	150	110	18	127	49	320	4	7.5
309050	50	25	277.5	50	165	125	18	160	70	320	4	9.5
309065	65	16	277.5	65	185	145	18	171	74	325	8	13.5
309080	80	16	277.5	80	200	160	18	218	114	350	8	19
309100	100	16	400	100	220	180	18	252	114	350	8	24
309125	125	16	600	125	250	210	18	270	122	375	8	34
309150	150	16	870	150	285	240	22	280	118	515	8	65
309200	200	16	1200	200	340	295	22	350	135	560	12	120
309250	250	16		250	405	355	26		158	595	12	160
309300	300	16		290	460	410	26		208	716	12	220
309350	350	16		340	520	470	26		267	802	16	350
309400	400	16		390	580	525	30		309	1140	16	610
309500	500	16		489	715	650	33		308	1016	20	1100

Gas ball valves, full bore

flange/flange, DN 600-800

Body: DN 15–400 Steel, P235GH (1.0345)
 DN 500–800 Steel, P355 NL1 (1.0566)/ GP240GH (1.0619)

Ball: DN 15–500 Stainless steel, X5CrNi18-10 (1.4301)
 DN 600–800 Steel + stainless plating, ASTM A350 LF2+Ni

Stem: Stainless steel, X8CrNiS18-9 (1.4305)

Stem seals: NBR

Ball seals: PTFE+C

Flanges: EN 1092-1
 Available PN 10, 16, 25, 40

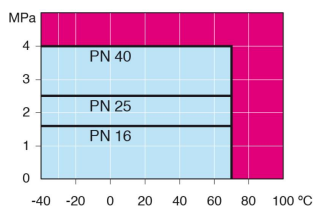
Equipment: mounting stand, lifting lugs

Operation: Valves are available with manual gear or with an electric or hydraulic actuator: www.vexve.com/en/actuators

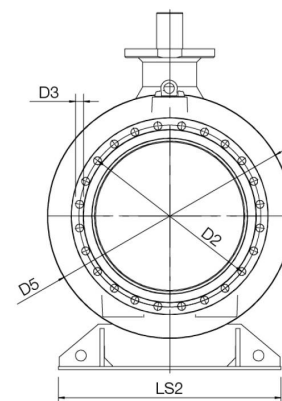
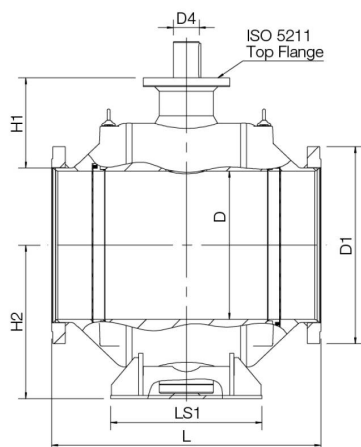


Operating conditions

-40 °C - +70 °C
 Over 70 °C contact manufacturer
 Below -30 °C contact manufacturer



Not for steam



Product no. Vexve	DN	PN	D	D1	D2	D3	D4	D5	H1	H2	L	LS1	LS2	Holes	ISO 5211	kg
309600	600	16	589	840	770	36	100	965	371	616	1130	560	965	20	F35	2520
309700	700	16	684	910	840	36	120	1125	416	709	1245	700	1028	24	F35	3660
309800	800	16	779	1025	950	39	140	1290	421	799	1385	680	1290	24	F40	5400